

## VERT-M35.1-E20.0

### 1 Features

---

#### Key Features

- 400Kv 40-14 size motor
- 6S 45A ESC

#### Performance & Control

- Velocity control with tunable PIDs & 2nd order feed forward
- Field Estimated Control: Best-in-class efficiency
- Impossible to desync
- Propeller positioning capabilities
- 3D reversible, no delay while crossing zero
- Industry-leading rise & response times
- Regenerative & active braking
- Active freewheeling
- Fast FET switching, use of gate drivers
- Voltage controller
- PWM controller
- Coast and brake modes
- No minimum speed
- Backdrivable

#### System Integration

- Motor with built-in ESC & position sensor
- Communication protocols: DroneCAN, DShot (150-1200), 1-2ms PWM, Serial (UART) w/ access to control parameters, Oneshot (42,125), and Multishot
- Modular design allows custom wire exits, higher IP ratings, and blower fans. Contact Vertiq for details.

#### Safety & Reliability

- Over-current, over-voltage, over-speed & over-temperature protection
- Access to standard & custom telemetry
- Motor health monitoring
- Safe arming procedure



### 2 Applications

---

- Drone Propulsion
- Robotics

### 3 Description

---

The VERT-M35.1-E20.0 is an ultra-compact, light-weight drone propulsion module that tightly integrates a high-performance 40-14 400Kv motor with a 45A continuous, 6S ESC and position sensor. It has an open and closed loop velocity controller designed primarily to drive propeller loads. Its performance is comparable to or better than other 40-14 sized motors and can operate at any speed from -8900RPM to 8900RPM thanks to its sensed control.

The motor can be driven with the integrated PID velocity controller with a second order polynomial feed forward, which is ideal for propeller applications. This sits on top of a voltage controller, which compensates for varying input voltages such as battery charge levels. Finally, the core is a raw PWM controller. Any of the above controllers can be used by the user.

An optional multi-turn angle firmware is available for the VERT-M35.1-E20.0. This firmware incorporates a PID position controller with a minimum-jerk trajectory generator, a constant velocity controller, and a rotational to linear converter. Anticogging is available upon request.

## 4 Specifications

Table 1: Absolute Maximum Ratings

| Description           | Symbol    | Min  | Max | Unit | Notes   |
|-----------------------|-----------|------|-----|------|---|
| Supply Voltage        | $V_{CC}$  | -0.3 | 30  | V    |   |
| Digital Logic Voltage | $V_L$     | -0.3 | 7.3 | V    | 3.3 V system, 5 V tolerant  |
| CAN Voltage           | $V_{CAN}$ | -40  | 40  | V    | ISO 11898-2 compliant   |
| MCU Temperature       | $T_{MCU}$ | -40  | 125 | °C   | Controller will self-limit performance when approaching max temperature |
| ESC Temperature       | $T_{ESC}$ | -40  | 125 | °C   | Maximin and minimax component ratings                                   |
| Coil Temperature      | $T_c$     |      | 150 | °C   | Controller will self-limit performance when approaching max temperature |
| Bearing Temperature   | $T_b$     | -20  | 80  | °C   |   |

Table 2: Recommended Operating Conditions

| Description          | Symbol   | Min | Max  | Unit | Notes   |
|----------------------|----------|-----|------|------|---|
| Battery Cells        | $S$      | 2   | 6    | $S$  | Standard or high voltage Li-Ion/Li-Po.  |
| Power Supply Voltage | $V_{CC}$ | 5.5 | 26.1 | V    | Ensure motor regen does not exceed voltage limit. Use built-in regen limiter or use an external load. |
| Ambient Temperature  | $T_a$    | -20 | 50   | °C   | Higher possible with reduced performance  |

Table 3: Properties

| Description          | Symbol     | Value  | Unit                | Notes                                      |
|----------------------|------------|--------|---------------------|--|
| Speed Constant       | $K_v$      | 395    | RPM/V               |  |
| Torque/EMF Constant  | $K_t$      | 0.0242 | N m A <sup>-1</sup> |  |
| Resistance           | $R$        | 0.054  | $\Omega$            | 25°C                                       |
| Effective Resistance | $R_e$      | 0.064  | $\Omega$            | motor + controller, 25°C                   |
| Mass                 | $m$        | 158    | g                   | Default configuration no wires/accessories |
| Continuous Torque    | $\tau_c$   | 540    | N mm                | In airflow, 25°C ambient                   |
| Continuous Current   | $I_S$      | 22     | A                   | Motor current, in airflow, 25°C ambient    |
| Pulsed Current       | $I_{SP}$   | 70     | A                   | Motor current, 100ms, 25°C ambient         |
| No Load Speed        | $\omega_0$ | 429    | rad s <sup>-1</sup> | @ $V_{CC} = 10$ V                          |
| No Load Current      | $I_0$      | 1.54   | A                   | @ $V_{CC} = 10$ V                          |

## 5 Electrical Interface

### 5.1 Base Module Wiring

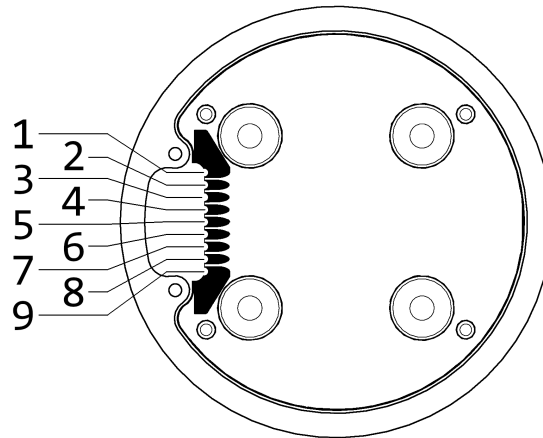


Figure 1: Main Board

Table 4: Base Module Pin Out Descriptions

| Pin No. | Name     | Description  |
|---------|----------|--|
| 1       | V+       | Power high, usually the positive battery terminal.                     |
| 2       | IO1      | GPIO1  |
| 3       | IO2      | GPIO2 can connect to a WS27811 driven (Neopixel) RGB LED.              |
| 4       | IO3      | GPIO3 can output a PWM, useful for controlling high power LED drivers. |
| 5       | CANL     | CAN low  |
| 6       | CANH     | CAN high   |
| 7       | RX/PWM   | Controller RX / host TX and PWM input                                  |
| 8       | TX/TELEM | Controller TX / host RX and telemetry output                           |
| 9       | V-       | Power ground, usually the negative battery terminal                    |

The VERT-M35.1-E20.0 can be shipped without a stator cover and a connector board. This allows the customer to commission from Vertiq or manufacture their own connector board with wires and connectors of their choosing. Wires can be routed horizontally or vertically out of the motor using different connector boards. IP ratings as high as IP56 can be achieved when connector boards and wires are designed to mate with their mounts.

The motor module can be given additional functionality by modifying the connector board. An optoisolator, an RS-232 transceiver, or an RS-485 transceiver can be added in series to the UART RX and TX lines. The GPIOs can be routed to their destinations, like LED drivers, enable lines, or other sensors. The frame can be grounded for noise suppression. Additional capacitance can be added. This list is not exhaustive.

Upon request, GPIO1 can be rerouted to an ADC pin for applications such as thermistors, potentiometers, or other sensors. Contact Vertiq for details.

## 5.2 Default Module Wiring

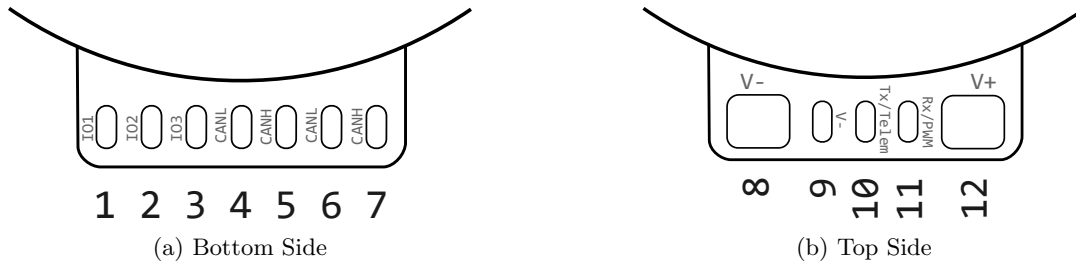


Figure 2: Connector Board

Table 5: Bottom Pin Out Descriptions

| Pin No. | Name | Description  |
|---------|------|--|
| 1       | IO1  | GPIO1  |
| 2       | IO2  | GPIO2 can connect to a WS27811 driven (Neopixel) RGB LED.  |
| 3       | IO3  | GPIO3 can output a PWM, useful for high power LED drivers. |
| 4       | CANL | CAN low  |
| 5       | CANH | CAN high   |
| 6       | CANL | CAN low  |
| 7       | CANH | CAN high   |

Table 6: Top Pin Out Descriptions

| Pin No. | Name     | Description   |
|---------|----------|---|
| 8       | V-       | Power ground, usually the negative battery terminal |
| 9       | V-       | Signal ground, useful for setup with a PC           |
| 10      | TX/TELEM | Controller TX / host RX and telemetry output        |
| 11      | RX/PWM   | Controller RX / host TX and PWM input               |
| 12      | V+       | Power high, usually the positive battery terminal.  |

### 5.2.1 Communication Wiring

Default modules are shipped with a connector board attached to facilitate wiring. The connector board features pads to which cables can be soldered.

The board supports up to two CAN connections, both of which are connected to the same peripheral to allow for a true bus connection through the motor. This configuration does not allow dual CAN redundancy. Both RX/TX pads are a Digital Logic Voltage,  $V_L$ .

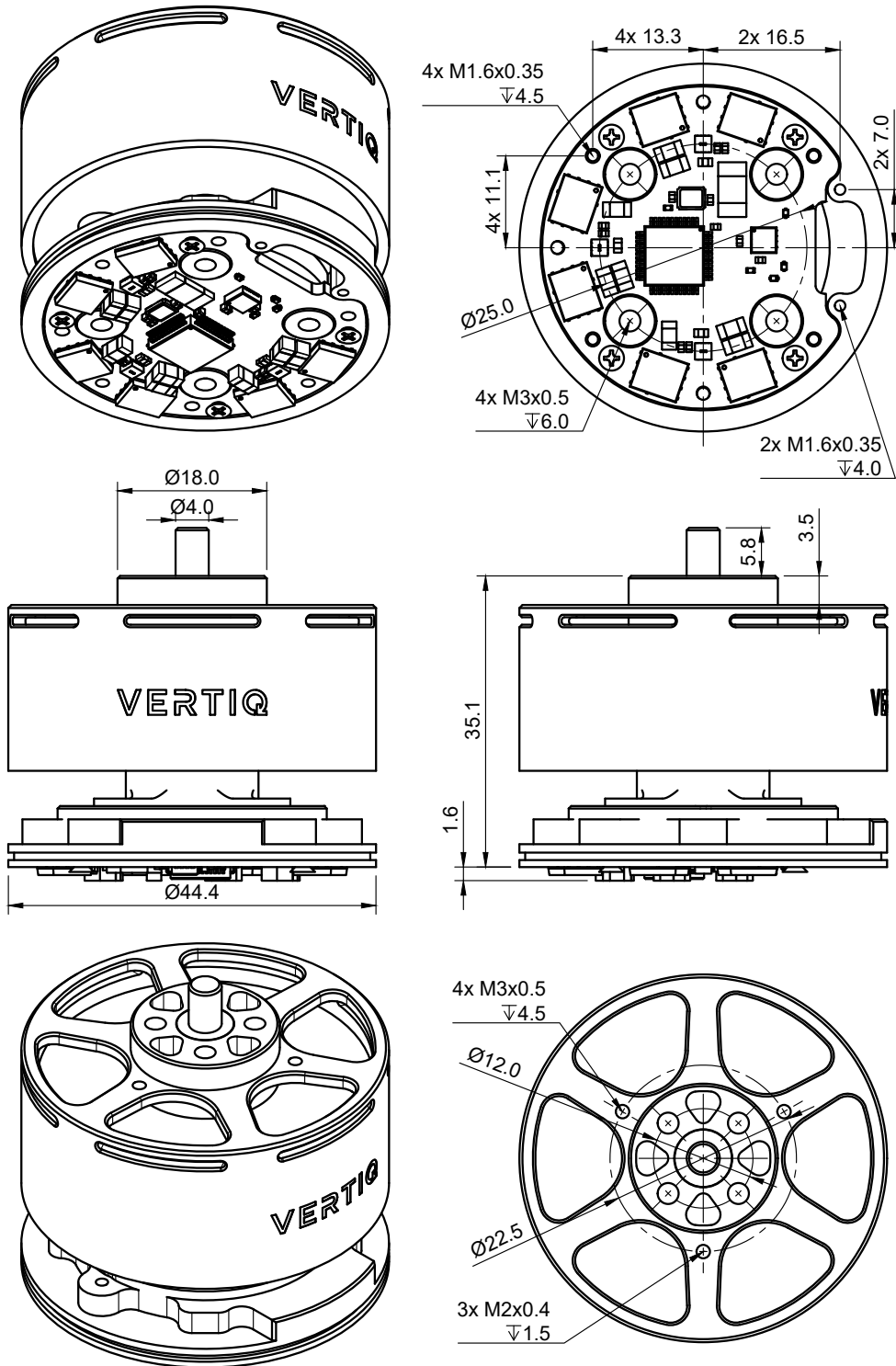
All General Purpose I/O pins are a Digital Logic Voltage,  $V_L$ . GPIO2 can connect to a WS2811 driven (Neopixel) RGB LED. GPIO3 and can output a PWM, useful for high power LED drivers. Though these pads are capable of the above features, the standard firmware does not utilize them. Contact Vertiq for custom firmware to enable these features or other custom behavior.

### 5.2.2 Supply Wiring

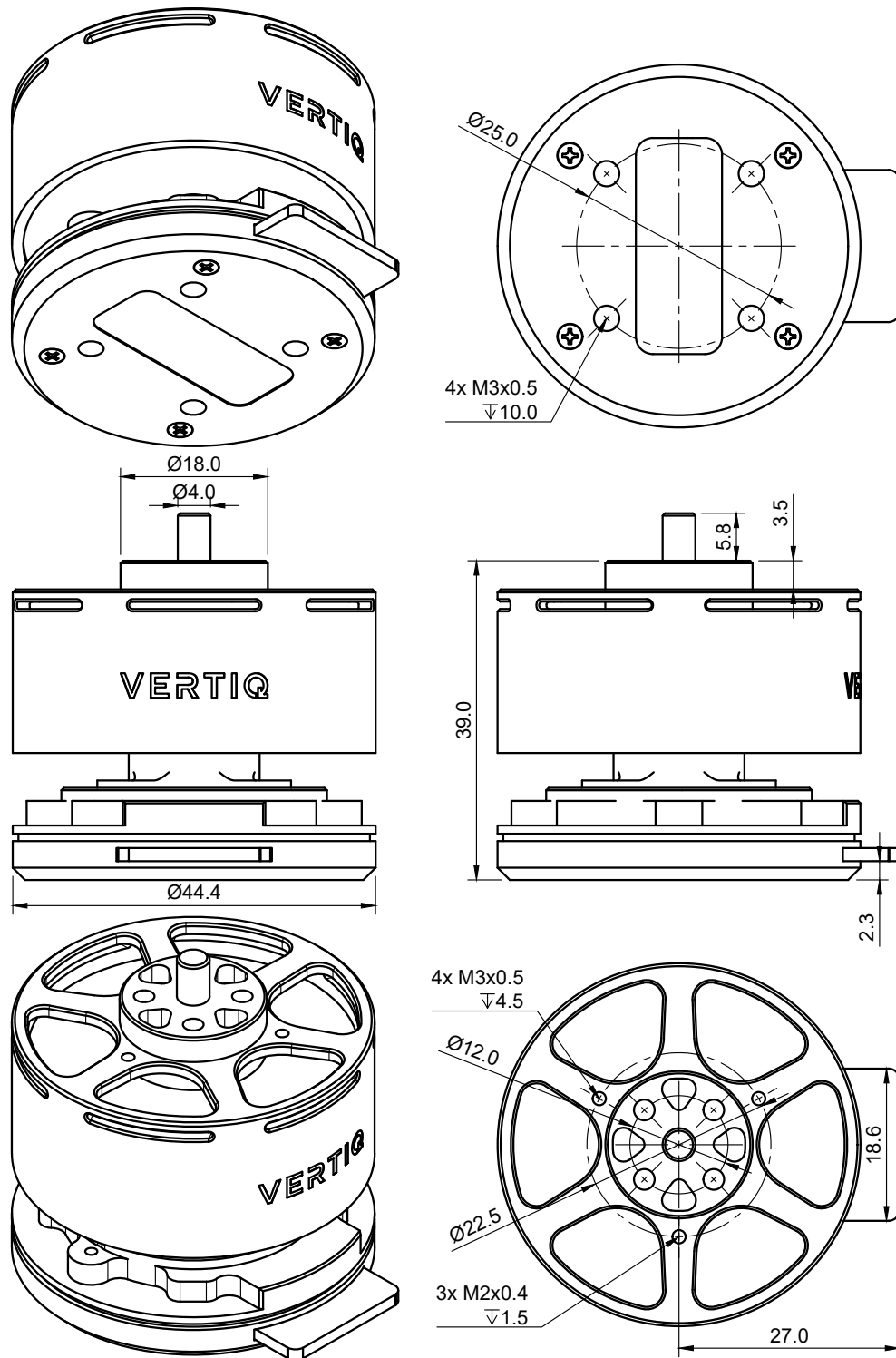
Power cables can be soldered to the top side of the connector board, to V- and V+.

## 6 Mechanical Interface

### 6.1 Base Configuration



6.2 Default Configuration



## 7 Safety Features

---

### 7.1 Over Current Protection

The ESC uses both a predictive and reactive method for over current protection. The motor controller will not apply a voltage which would put the controller or motor at risk of over current. If an overcurrent condition is detected, despite the predictive current protection, a reactive current protection will disable all MOSFETs. The reactive current protection can be configured for latching or non-latching behavior. Latching causes the controller to remain disabled until the user clears the error flag. Non-latching immediately recovers once the current lowers below the threshold. Non-latching is the default behavior.

### 7.2 Over Temperature Protection

The controller has an onboard temperature sensing circuit. If the temperature sensor detects a temperature that is approaching the controller's maximum temperature limit, the controller will begin to derate. While in derate, the module will spin at a lower speed and torque than expected. The controller will continue outputting as much power as possible without exceeding its thermal limit. If the controller's temperature drops, the controller will automatically exit derate mode and continue normal operation.

Though there is no temperature sensor in the motor's coils, the controller contains a predictive model which estimates the coil temperature. The same derating process as above is applied to the estimated coil temperatures, applying as much power as possible without causing damage. This protection ensures that large loads or stalled conditions do not overheat and damage the motor coils and magnets.

If an over temperature condition is detected, despite the predictive thermal protection, a reactive thermal protection will disable all MOSFETs. The reactive thermal protection can be configured for latching or non-latching behavior. Latching causes the controller to remain disabled until the user clears the error flag. Non-latching immediately recovers once the temperature lowers below the threshold. Non-latching is the default behavior.

### 7.3 Over Speed Protection

A soft limiter will reduce the voltage applied to the motor once  $\omega_{max}$  is exceeded. The farther the speed is above  $\omega_{max}$  the lower the output voltage of the controller. In extreme overspeed situations the motor acts as a brake, effectively shorting the three phases of the motor together. This will protect the motor from extremely large load changes, poor PID tuning values, and the unlikely chance of a runaway condition. This feature will fight an externally applied load that causes an over speed, but is not able to guarantee the prevention of an over speed condition in this situation.

### 7.4 Regeneration Voltage Protection

The VERT-M35.1-E20.0 is a four quadrant motor-controller, which means it can both motor and generate in both directions. When the motor is generating, the voltage can spike if the connected electronics cannot absorb the energy that is being generated. Rechargeable batteries and capacitors can absorb this energy. Power supplies, diode-protected wiring, and some protected batteries do not absorb energy. This leads to a voltage spike that may destroy the motor and any attached equipment.

The controller can prevent these spikes from occurring by limiting the voltage applied to the motor. If an out of allowable range generation occurs, the motor will decrease its own generation, thereby protecting the circuitry. This protection does not prevent the damage from externally applied voltages.

### 7.5 Command Timeout Protection

A user settable timeout automatically disarms and puts the motor in to coast mode if it does not receive a valid message within a specified amount of time. The normal operation resumes upon receiving a new message.

## 7.6 Input Connection Protection

All exposed pins are protected with ESD diodes and a small amount of reverse polarity protection. Do not knowingly or intentionally apply reverse polarity or out of limit voltages to the exposed pins.

## 7.7 Watchdog Protection

In case of an unlikely error in the controller that causes it to freeze, the controller will automatically reboot. While this may allow for a recovery, all normal startup procedures are re-performed and any arming sequence or auxiliary commands must be redone.

# 8 Additional Documentation

---

- [Product Page](#)
- [Thrust data](#)
- [Manual, Tutorials, and API Documentation](#)
- [API Libraries](#)
- [Module Tracking](#)



## 9 Revision History

---

Table 7: Revision History

| Version | Date       | Changes         |
|---------|------------|-----------------|
| 1.0     | 2024-03-05 | Initial Release |